



750mm Industrial Fans OPERATION MANUAL



PF-75



WF-75



Edition No : IF-001
Date of Issue : 10/2016

SPECIFICATIONS

Model	FW-75	PW-75
Size (mm)	750	750
Volt	240	240
Hz	50	50
Watts	280	280
Air Flow	290	290
Speed	1400	1400
Speeds	3	3

1. Front Safety Grill
2. Rear Safety Grill
3. Fan Blade
4. 3 Speed Switch (On Rear Of Fan)
5. Fan Mounting Shaft
6. Fan Wall Mounting Bracket
7. Tilt Locking Knob
8. Pedestal Stand
9. Pedestal Base

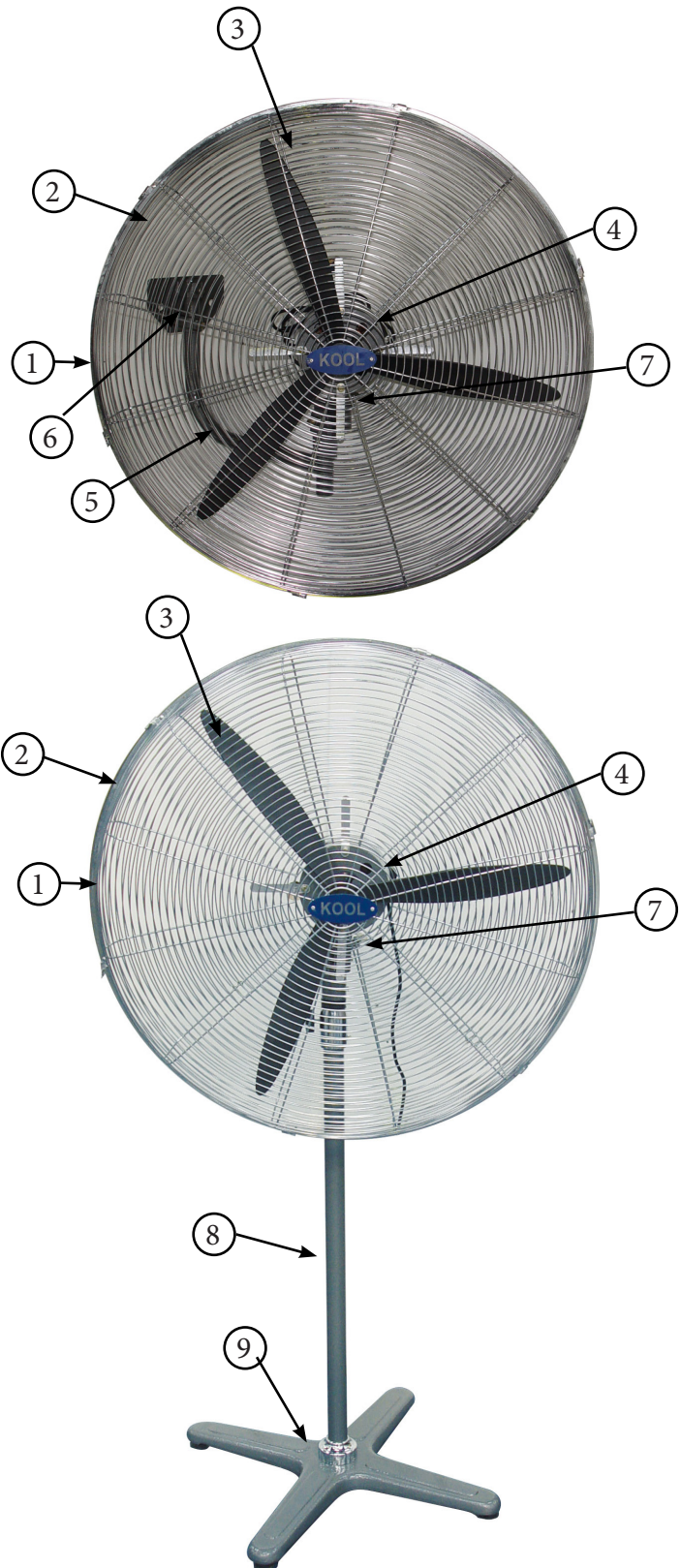
Voltage

Check the voltage on the specification plate is the same as the local voltage. Do not use if they are not compatible and contact your dealer.

The fan must be earthed to the socket.

Speed Control

The fan has a speed control, "0" is off, "3" is the fastest, "1" is the lowest.

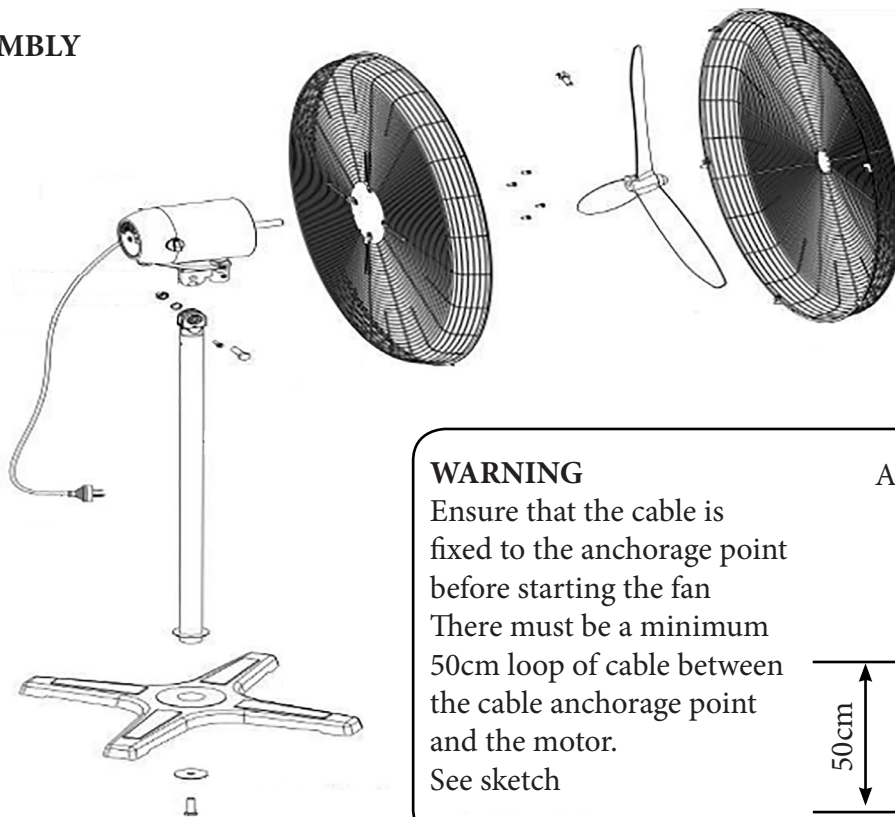


SAFETY INSTRUCTIONS

When using this electrical appliances, basic safety precautions should always be followed, to reduce the risk of fire, electric shock and personal injury,

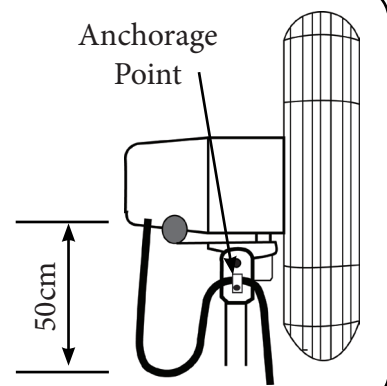
- Carefully read this instruction manual before using appliance.
- Keep appliance out of reach of young children.
- This appliance is not intended for use by persons (including children) with reduced physical, sensory or mental capabilities, or lack of experience and knowledge, unless they have been given supervision or instruction concerning use of the appliance by a person responsible for their safety.
- Children should be supervised around the machine to ensure that they remain in a safe environment
- Ensure that appliance does not get wet (water splashes etc.).
- Do not use appliance with wet hands.
- Always operate the appliance from a power source of the same voltage, frequency and rating as indicated on the product identification plate.
- Position the power supply lead correctly so that it will not be walked on or pinched by items placed on or against them.
- Use appliance only for its intended use.
- Do not use appliance if it has been dropped or any part of appliance (including cord or plug) has been damaged. Take appliance to your nearest authorized service center or qualified dealer for inspection or repair.
- If the supply cord is damaged, it must be replaced by the manufacturer, its service agent or similarly qualified persons in order to avoid a hazard.
- Appliance should not be used outdoors, placed near a hot gas or electrical burner or placed in a heated oven.
- Do not install near any heat sources such as radiators, heat registers, stoves, or other apparatus that produce heat.
- Do not operate appliance underneath or near flammable or combustible materials (e.g. curtains). Keep at least 300mm clearance around sides, back, front and top.
- Unplug this apparatus during lightning storms or when unused for long periods of time.
- Do not block any ventilation openings.
- Turn off and unplug before cleaning or storing.
- Any type of servicing, apart from ordinary cleaning, must be carried out by an authorized service center or qualified dealer.
- If this appliance is used by a third party, please supply the instruction manual with it.
- Do not misuse the cord. Never carry the appliance by the cord or pull to disconnect it from the outlet. Instead, grasp the plug and pull to disconnect.
- Do not insert or allow foreign objects to enter the grille openings as this may cause damage to the appliance and/or injury to the user.
- No liability can be accepted for any damage caused by non-compliance with these instructions or any other improper use or mishandling of appliance.

ASSEMBLY



WARNING

Ensure that the cable is fixed to the anchorage point before starting the fan
 There must be a minimum 50cm loop of cable between the cable anchorage point and the motor.
 See sketch



INSTALLATION OF THE WALL FAN

Install the bracket on the wall through the two 14mm holes with two M12 screws. (See Fig. 4)
 Place the wall fan pipe through the two "U" shape clamps and lock it with the two screws. The long screw is past through the hole located in the wall fan pipe, The long screw ensures that the fan mounting pipe can not slide down in the "U" clamps. (See Fig.3)

Fig. 3

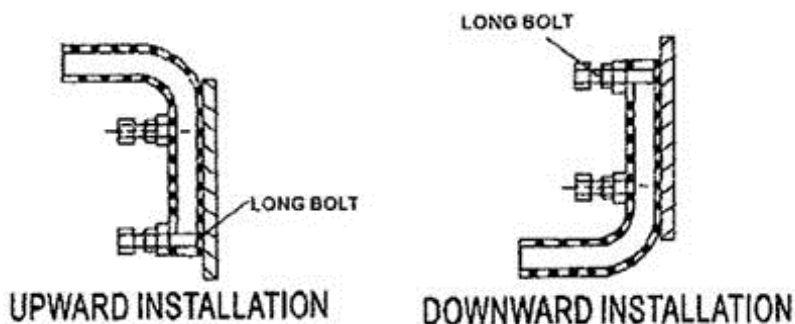


Fig. 4

